

Flush Rings

Diaphragm Seal Accessories

Applications

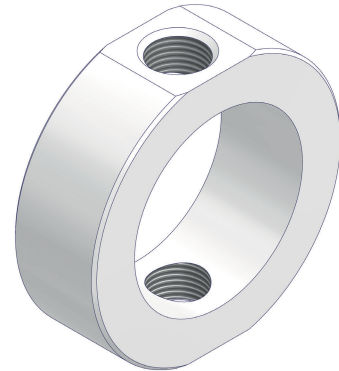
- Flush rings are used for diaphragm seals in order to prevent clogging of the instrument connection.
- The flush ring is mounted between the process flange and the diaphragm seal.

Standard Features

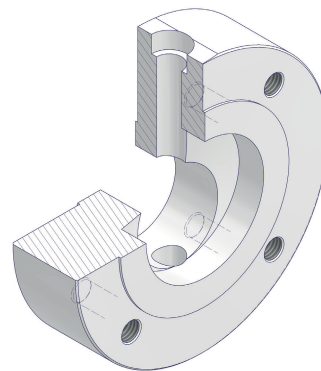
- The flushing ports allow the washing out of particles accumulated in front of the membrane.
- The pressure chamber can be vented or drained or filled with a cleaning liquid and subsequently flushed, depending on the requirement.
- Various nominal widths and forms allow adaption to the respective process flange. See Optional Features.
- Standard flushing connection: 1/2 NPT female
- Sealing face:
 - Acc. to EN 1092-1 Form B1
 - Acc. to ASME B 16.5 RF
- Materials: 316/316L/1.4401/1.4404, quadruple certified

Optional Features

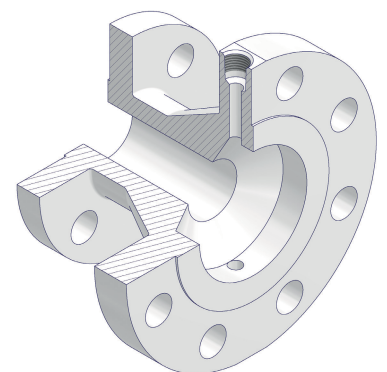
- Flushing connection with different female threads: G 1/2, G 1/4, 1/4 NPT
- Pipe plugs and various valves
- Other sealing faces, e.g. groove, tongue, RTJ
- Exotic Alloys, e.g. Duplex, Alloy C-276, Alloy 625
- Flush rings for sour gas service are available in accordance with NACE MR0175/ MR0103 and ISO 15156 by default.
- Special cleaning
- Inspection certificate 3.1 acc. to EN 10 204
- Flush Ring Type G and Dual Flange Style Type D
 - Concentric or excentric (Type G only)
 - 1 or 2 vent / flushing connections
 - PFA lining optional (Type G only)
 - Adapting of nominal pipe size (NPS)
 - Allows disassembly of diaphragm seal without removing the flush ring



Flush Ring Type S

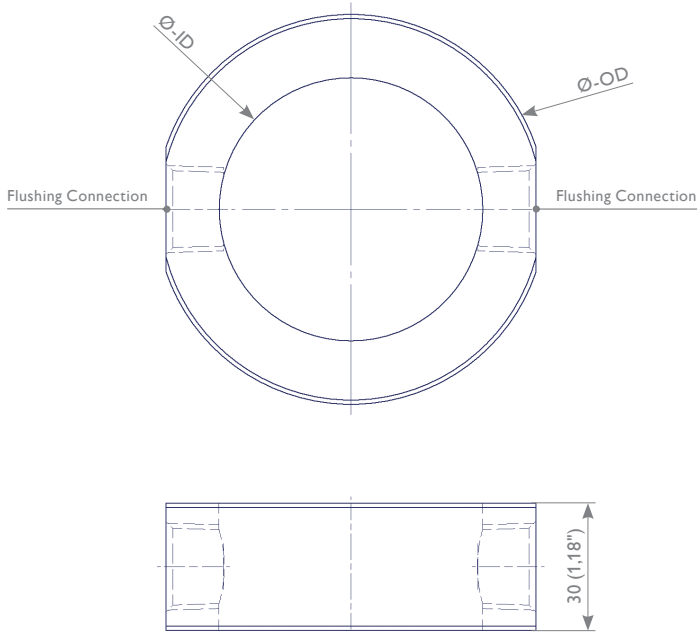


Flush Ring Type G



Flush Ring Type D

Standard Design - Flush Ring Type S



Connection acc. to ASME B16.5

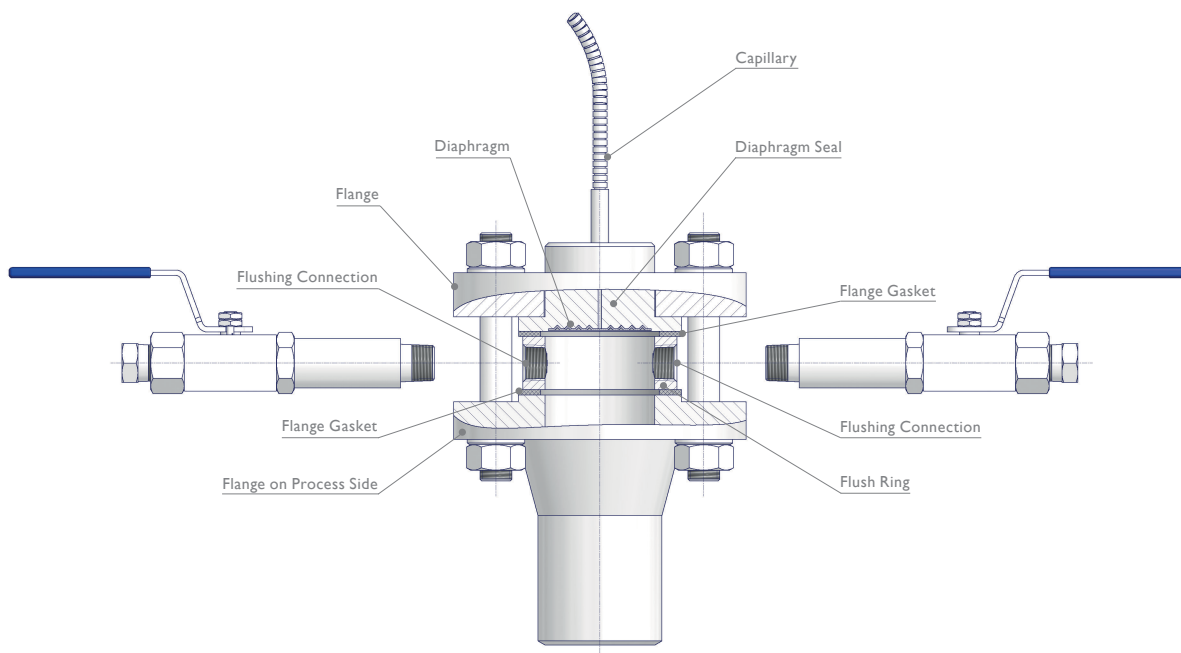
NPS	Class*	Dimensions in mm (inch)	
		OD	ID
1"	150 - 600	63,5 (2,5")	34 (1,34")
1 1/2"	150 - 600	73,2 (2,88")	42 (1,65")
2"	150 - 600	91,9 (3,62")	62 (2,44")
3"	150 - 600	127 (5")	92 (3,62")
4"	150 - 600	157,2 (6,19")	92 (3,62")
5"	150 - 600	185,7 (7,31")	126 (4,96")

Connection acc. to EN 1092-1

DN	PN*	Dimensions in mm (inch)	
		OD	ID
25	16 - 100	68 (2,68")	34 (1,34")
40	16 - 100	88 (3,46")	42 (1,65")
50	16 - 100	102 (4,02")	62 (2,44")
80	16 - 100	138 (5,43")	92 (3,62")
100	16 - 100	162 (6,38")	92 (3,62")
125	16 - 100	188 (7,40")	126 (4,96")

* Higher pressure ranges on request.

Mounting Example - Flush Ring Type S



If you don't find your options in this catalogue, please contact the factory.

AS-Schneider reserves the right to make such changes at their discretion and without prior notice. All dimensions shown in this catalogue are approximate and subject to change.